

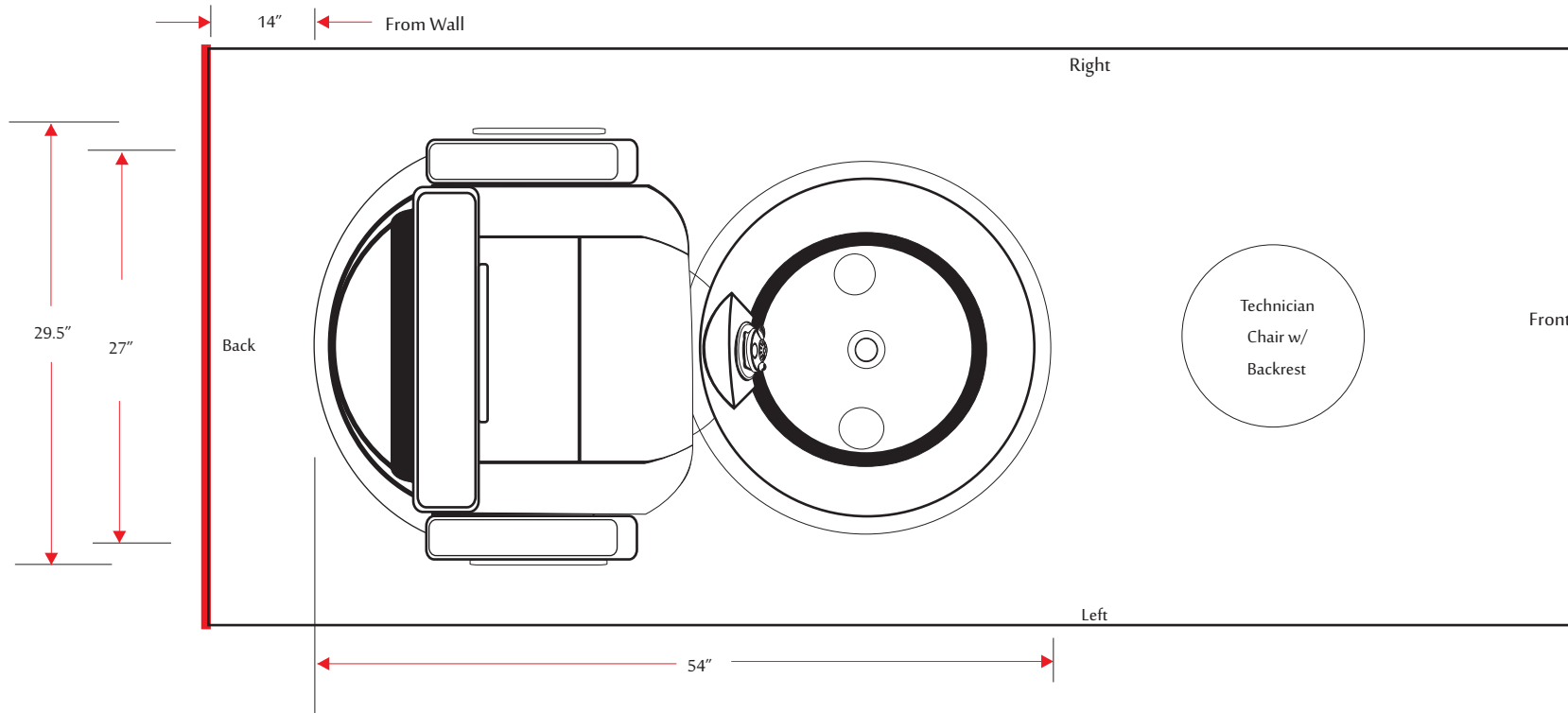
ROUGH IN
Installation Drawing #1

Electrical Requirements:
One dedicated GFCI protected wall outlet (15 amp.) MUST be used per unit

Note:
For Gravity Drain Installations Refer to Plumbing Rough-In Drawing and installation instruction

CAUTION - IMPORTANT
THIS DRAWING IS **NOT** COMPLETE UNLESS ACCOMPANIED BY PAGE 4 OF 4 ENTITLED: "INSTALLATION AND ROUGH IN INFORMATION".

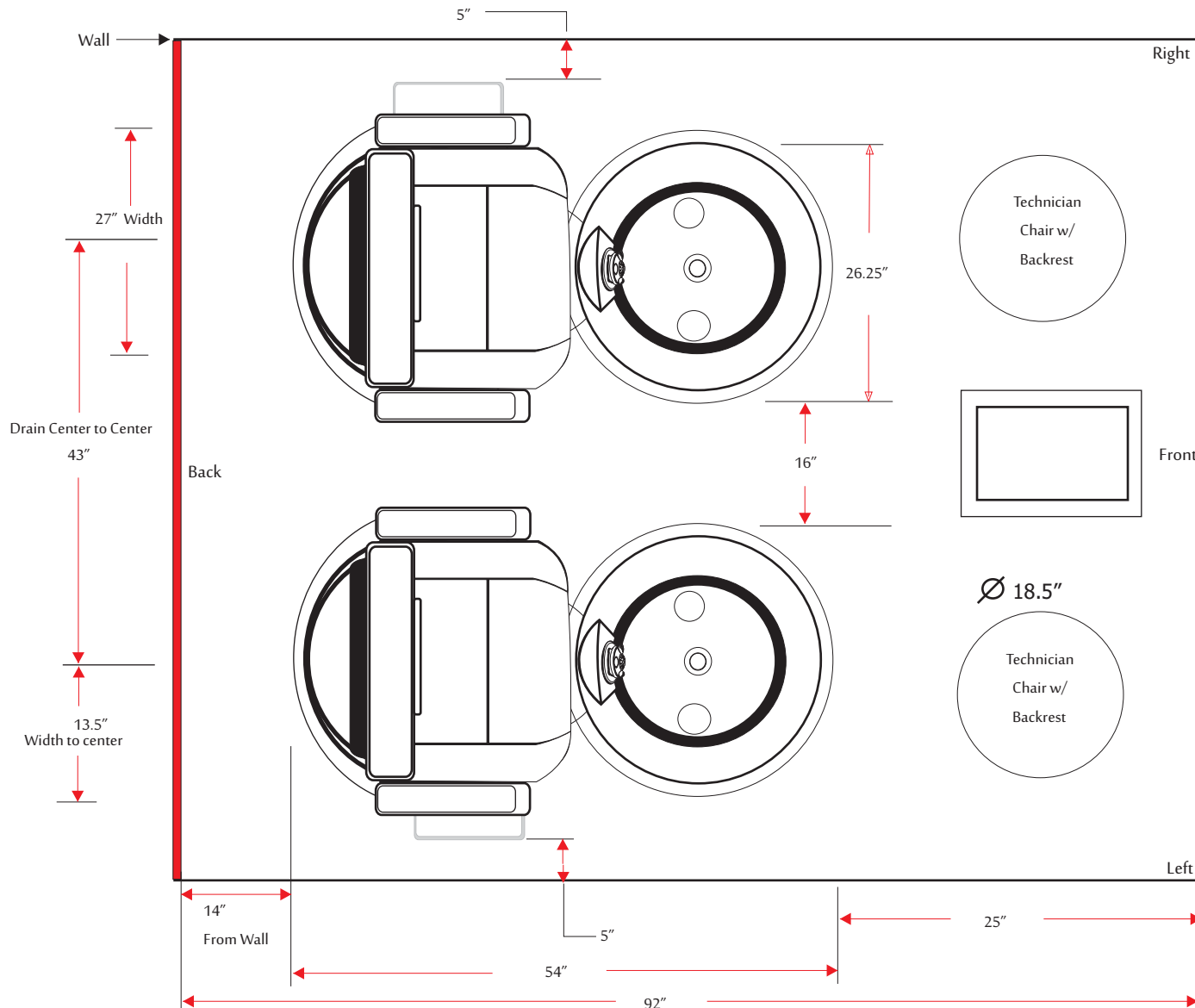
PLEASE REVIEW ALL INFORMATION CAREFULLY.



Note:
1-All Dimensions are in inches.
2-All Dimensions are reference to installation purpose only

	Aug. 2010
MFG	J&A USA INC.
Model	LENOX
Website	www.jausainc.com

ROUGH IN
Installation Drawing #2



Note:
1-All Dimensions are in inches.
2-All Dimensions are reference
to installation purpose only

CAUTION - IMPORTANT

THIS DRAWING IS **NOT** COMPLETE
UNLESS ACCOMPANIED BY PAGE 4 OF 4
ENTITLED: "INSTALLATION AND ROUGH
IN INFORMATION".

**PLEASE REVIEW ALL INFORMATION
CAREFULLY.**

VERY IMPORTANT

DEPENDING ON USE OF MANICURE
TRAYS AND/OR CARTS, THE DISTANCE
BETWEEN PEDICURE CHAIRS CAN VARY.
THIS MUST BE DISCUSSED PRIOR TO
INSTALLATION IN ORDER TO ENSURE
ADEQUATE WORKING SPACE.

ELECTRICAL REQUIREMENTS:

ONE DEDICATED GFGI PROTECTED WALL
OUTLET (15 Amp.) **MUST** BE USED PER
EACH UNIT.

Note:

For Gravity Drain Installations
Refer to Plumbing Rough-In
Drawing and installation
instruction

	Aug. 2010
MFG	J&A USA INC.
Model	LENOX
Website	www.jausainc.com

ROUGH IN
Installation Drawing #3

CAUTION - IMPORTANT

THIS DRAWING IS **NOT** COMPLETE
UNLESS ACCOMPANIED BY PAGE 4 OF 4
ENTITLED: "INSTALLATION AND ROUGH
IN INFORMATION".

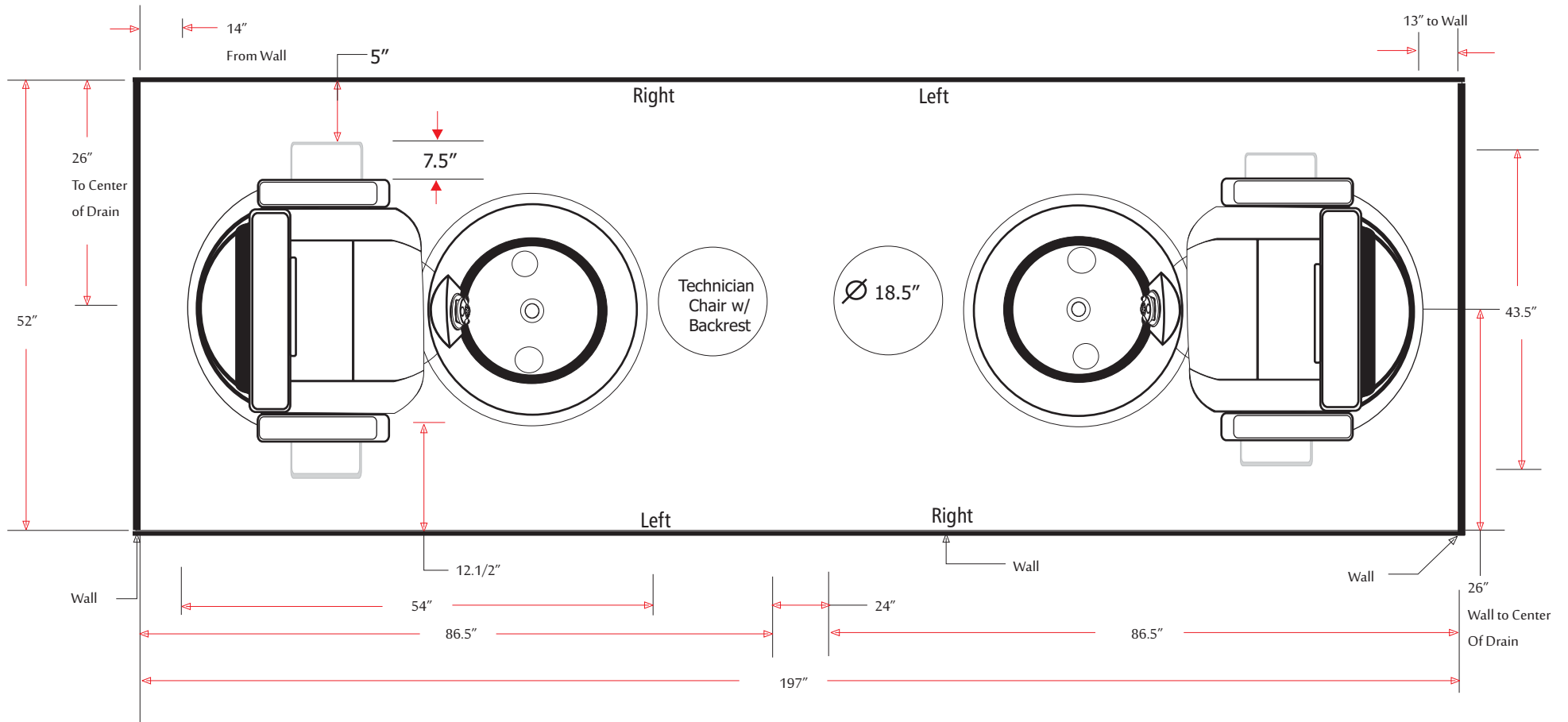
**PLEASE REVIEW ALL INFORMATION
CAREFULLY.**

ELECTRICAL REQUIREMENTS:

ONE DEDICATED GFI PROTECTED WALL
OUTLET (15 Amp.) **MUST** BE USED PER
EACH UNIT.

Note:

For Gravity Drain Installations
Refer to Plumbing Rough-In
Drawing and installation
instruction



Note:

- 1-All Dimensions are in inches.
- 2-All Dimensions are reference to installation purpose only

	Aug. 2010
MFG	J&A USA INC.
Model	LENOX
Website	www.jausainc.com

ROUGH IN Installation Drawing #4

Plumbing Rough - In (Floor Application)

Note: P-Trap Required

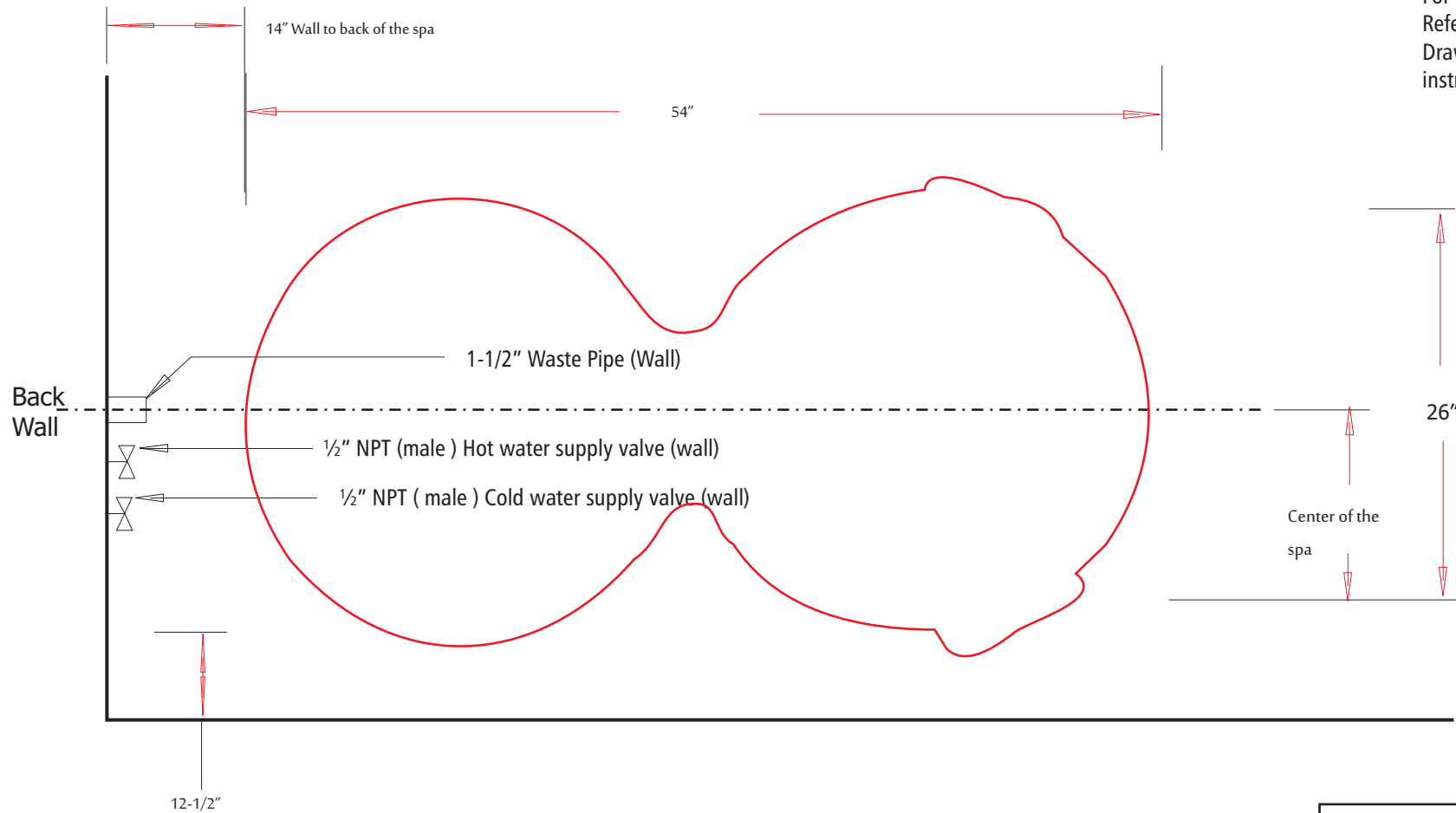
VERY IMPORTANT

DEPENDING ON USE OF MANICURE TRAYS AND/OR CARTS, THE DISTANCE BETWEEN PEDICURE CHAIRS CAN VARY. THIS MUST BE DISCUSSED PRIOR TO INSTALLATION IN ORDER TO ENSURE ADEQUATE WORKING SPACE.

Electrical Requirements:
One dedicated GFCI protected wall outlet (15 amp) MUST be used per unit

Note:
For multiple units side by side lay out / see dimensions

Note:
For Gravity Drain Installations Refer to Plumbing Rough-In Drawing and installation instruction



Note:
1-All Dimensions are in inches.
2-All Dimensions are reference to installation purpose only

	Aug 2010
MFG	J&A USA INC.
Model	LENOX
Website	www.jausainc.com